



# EZ Glaze™

Glass - Like Profiled Polycarbonate



## Overview

EZ Glaze™ offers smart design, elegant glass-like appearance, versatility, low maintenance and sustainable performance.

EZ Glaze™ incorporates a proprietary profiled design which enables it to be installed over rafters with a high loading capacity.

EZ Glaze™ is easy to fasten; the panels are simply screw fixed to the supportive structure and joined by overlapping.

## Main Benefits

- Clear and elegant appearance
- Easy, fast and safe installation
- Minimal maintenance
- UV Protection - blocks 99.9% of UV radiation
- Greater hail resistance
- High wind and snow load resistance
- No need to climb on the roof to install

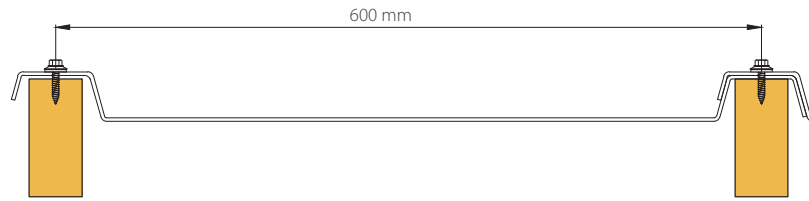
## Typical Applications

- Pergolas and Gazebos
- Patio enclosures
- Sunrooms
- Carports



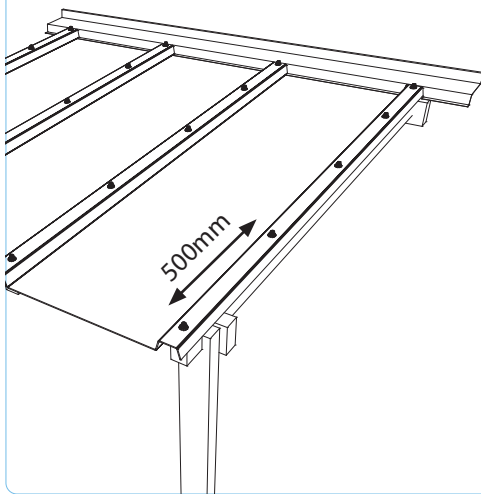
[www.palram.com](http://www.palram.com)





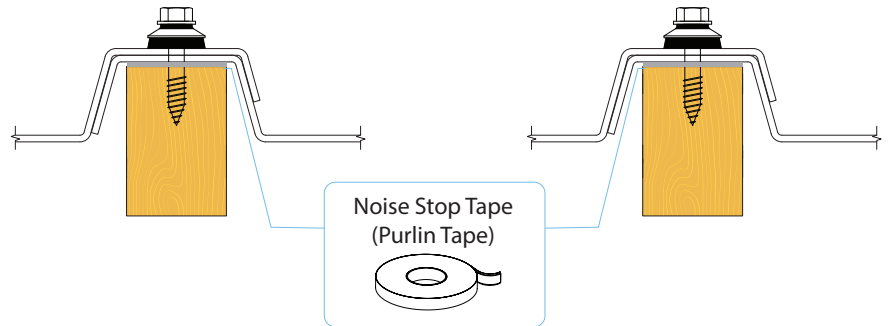
## Typical Assembly

### Fixing Points



### Edge of Corrugation & Side Lap

Use fixing screw 50mm x 14g with 25mm EPDM washer. Drill 10mm expansion hole into sheet at fixing or use a Clearfix screw (with hole cutter). Set fix points at 500mm apart along sheet crest.



## Product Availability

Colors*	Grey   Bluish Breeze   Clear
Thickness	3 mm
Cover Width	600 mm
Maximum Length	7,000 mm

\*Additional colors are available under minimum quantities.

## Solar Properties

	LT (%)	SC*	SHGC**
Clear	90	1.0	0.87
Grey	20	0.51	0.44
Bluish Breeze	70	0.63	0.55

\*Shading Coefficient

\*\*Solar Heat Gain (SHGC)

## Loads Resistance

Snow Load - up to 400 kg/m<sup>2</sup>

\* Maximum recommended single unit length is 7000mm

## Flammability

EZ Glaze™ complies with the most demanding international fire resistance standards in the field of plastic.

■ European Standard: EN 13501 - B s1, d0

\*For more detailed information please contact your Palram distributor.



**PALRAM H.Q.**  
Tel: +972 4 8459900  
Fax: +972 4 8444012  
palram@palram.com  
www.palram.com

**PALRAM EUROPE LTD.**  
Tel: +44 1302 380777  
Fax: +44 1302 380788  
sales.europe@palram.com

**PALRAM AMERICAS**  
Tel: 610 2859918  
Fax: 610 2859928  
palramamericas@palram.com  
www.palram.com/us/



600795 - 01 2022

In as much as Palram Industries has no control over the use to which others may put the material, it does not guarantee that the same results as those described herein will be obtained. Each user of the material should make his own tests to determine the material's suitability for his own particular use. Statements concerning possible or suggested uses of the materials described herein are not to be construed as constituting a license under any Palram Industries patent covering such use or as recommendations for use of such materials in the infringement of any patent. Palram Industries or its distributors cannot be held responsible for any losses incurred through incorrect installation of the material. In accordance with our company policy of continual product development you are advised to check with your local Palram Industries supplier to ensure that you have obtained the most up to date information.

