

KORADO®

RADIK® KLASIK



Radik Klasik Steel panel radiators



Product Range

The Radik Klasik range comprises of single, double and triple convector radiators in 6 heights with lengths from 400mm to 3000m. Radiators 200mm high available in type 22 and 33 only.

Tappings and Fittings

Each radiator has 4 x 1/2" BSP tappings as standard, allowing maximum flexibility of connection. Each radiator is supplied with wall fixing brackets.

Pressures

Each radiator is tested to a pressure of 13 bar. Working pressure of up to 10 bar are therefore acceptable.

Finish

Every radiator undergoes a multi stage pre treatment process which includes degreasing, phosphating, and rinsing in three stages. Then KTL paint is applied which is vital for the long life span of the radiator. The final touch is done by a stoved epoxy polyester powder coat. Radiators are delivered in white powder coat (RAL 9016) as standard, other colors available on request.

Packaging

All Radik Klasik radiators are delivered in uniform packaging, which consists of: corrugated cardboard, plastic reinforcing corner covers, polyethylene shrinking foil, inserted information sheet. The packaging protects the radiator during transportation, handling, assembly and after assembly.

Guarantees

Korado products are manufactured to the highest standards, using only the best materials with quality control at all levels of production under the quality standard ISO 9001:2000. Heat outputs have been tested and approved to EN442

The manufacturer guarantees that the product is leak proof and guarantees stated heat output of Radik steel panel radiators connected to hot-water systems for 10 years from the date of sale.

The manufacturer accepts no responsibility for deformation or damage of the radiators caused during their transport, handling or storage. The guarantee does not apply to mechanical or other damages caused by unqualified installation of the radiators.

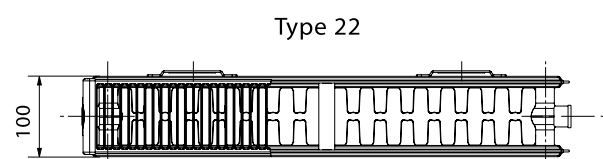
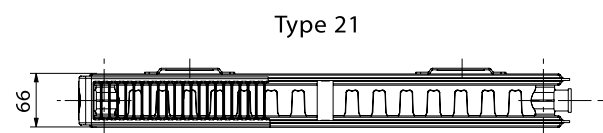
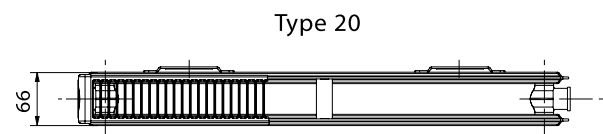
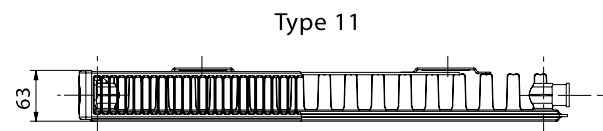
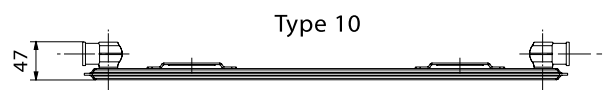
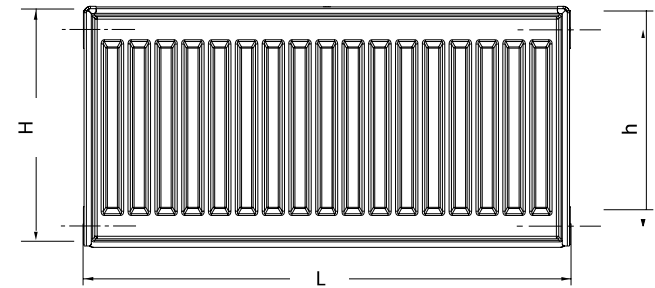
Quality and Safety

The high quality of radiators has been confirmed by acquiring the right to use the national quality marks for the European markets. These marks declare that the stipulated requirements on quality of material, technology, production process and tests of radiators RADIK are strictly followed.

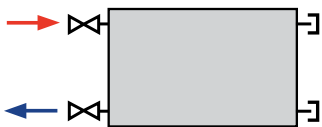
Specifications

Height H	300, 400, 500, 600, 900 mm
Length L	400, 500, 600, 700, 800, 900, 1000, 1100, 1200, 1400, 1600, 1800, 2000, 2300, 2600, 3000 mm
Connecting pitch	$h = H - 54$ mm
Connecting thread	4 x G1/2 inside
Highest allowed working pressure	10 bar
Highest allowed working temperature	110 °C
Radiator connection	left or right side

Overview of types



Examples of connection to the heating system



side – one side
 $\Phi = 1$

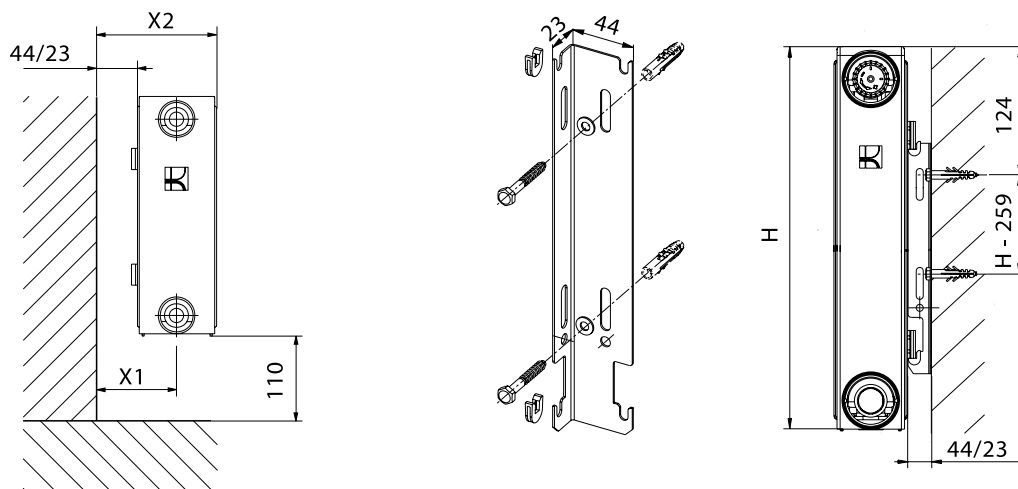


side – two sides diagonal
 $\Phi = 1$
recommended for: $L \geq 3 \times H$



side – two sides direct
 $\Phi = 0,9$

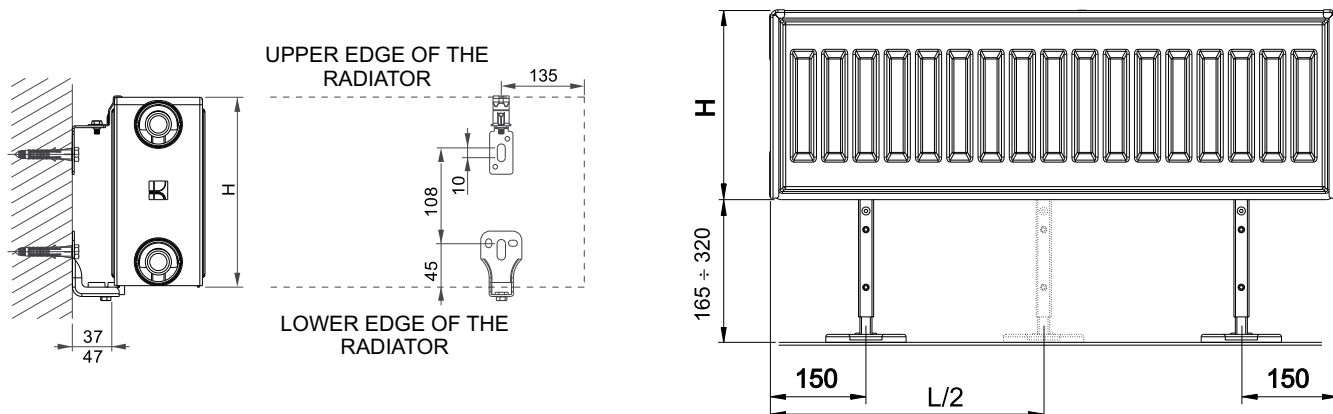
Position of Radiator



Type	11	21	22	33
X1	70/49	77/56	94/73	94/73
X2	107/86	110/89	144/123	199/178

RADIK KLASIK - Steel panel radiator in height 200 mm

RADIK KLASIK 200mm high model is a steel panel radiator in KLASIK version, which allows left or right side connection to the heating system. It is intended for heating systems which are gravity or pressure fed. No hangers are welded on the back of the radiator, but it can be mounted on the wall as well as on the floor. This range comprises of double and triple convector radiators with lengths from 800mm to 3000m.



Type	22	33
X1	87÷97	87÷97
X2	137÷147	192÷202

Radik Klasik heat output in watts certified to EN 442

Type 11						Type 21					
Height	300	400	500	600	900	Height	300	400	500	600	900
LENGTH	Heat outputs @ Δt 50°C					LENGTH	Heat outputs @ Δt 50°C				
mm	Watts	Watts	Watts	Watts	Watts	mm	Watts	Watts	Watts	Watts	Watts
400	220	283	343	401	558	400	298	375	447	515	702
500	275	354	429	501	697	500	373	469	559	644	877
600	329	425	515	601	836	600	447	562	670	773	1052
700	384	496	601	701	976	700	522	656	782	902	1228
800	439	566	686	802	1115	800	596	750	894	1030	1403
900	494	637	772	902	1255	900	671	843	1005	1159	1579
1000	549	708	858	1002	1394	1000	745	937	1117	1288	1754
1100	604	779	944	1102	1533	1100	820	1031	1229	1417	1929
1200	659	850	1030	1202	1673	1200	894	1124	1340	1546	2105
1400	769	991	1201	1403	1952	1400	1043	1312	1564	1803	2456
1600	878	1133	1373	1603	2230	1600	1192	1499	1787	2061	2806
1800	988	1274	1544	1804	2509	1800	1341	1687	2011	2318	3157
2000	1098	1416	1716	2004	2788	2000	1490	1874	2234	2576	3508
2300	1263	1628	1973	2305	3206	2300	1714	2155	2569	2962	4034
2600	1427	1841	2231	2605	3624	2600	1937	2436	2904	3349	4560
3000	1647	2124	2574	3006	4182	3000	2235	2811	3351	3864	5262

Radik Klasik heat output in watts certified to EN 442

Type 22							Type 33						
Height	200	300	400	500	600	900	Height	200	300	400	500	600	900
LENGTH	Heat outputs @ Δt 50°C						LENGTH	Heat outputs @ Δt 50°C					
mm	Watts	Watts	Watts	Watts	Watts	Watts	mm	Watts	Watts	Watts	Watts	Watts	Watts
400		386	486	581	672	925	400		552	695	832	962	1331
500		483	608	726	840	1157	500		690	869	1040	1203	1664
600		580	730	871	1007	1388	600		827	1043	1247	1444	1997
700		676	851	1016	1175	1619	700		965	1217	1455	1684	2330
800	519	773	973	1162	1343	1850	800	747	1103	1390	1663	1925	2662
900	584	869	1094	1307	1511	2082	900	841	1241	1564	1871	2165	2995
1000	649	966	1216	1452	1679	2313	1000	934	1379	1738	2079	2406	3328
1100	714	1063	1338	1597	1847	2544	1100	1027	1517	1912	2287	2647	3661
1200	779	1159	1459	1742	2015	2776	1200	1121	1655	2086	2495	2887	3994
1400	909	1352	1702	2033	2351	3238	1400	1308	1931	2433	2911	3368	4659
1600	1038	1546	1946	2323	2686	3701	1600	1494	2206	2781	3326	3850	5325
1800	1168	1739	2189	2614	3022	4163	1800	1681	2482	3128	3742	4331	5990
2000	1298	1932	2432	2904	3358	4626	2000	1868	2758	3476	4158	4812	6656
2300	1493	2222	2797	3340	3862	5320	2300	2148	3172	3997	4782	5534	7654
2600	1687	2512	3162	3775	4365	6014	2600	2428	3585	4519	5405	6256	8653
3000	1947	2898	3648	4356	5037	6939	3000	2802	4138	5214	6237	7218	9984

The radiator outputs quoted in this brochure are based on a mean water temperature in the radiator of 70 °C and room temperature of 20 °C (Δt 50°C).

For other operating conditions the correction factors should be applied (output at Δt 50°C to be multiplied by one of the listed correction factors):

Δt 40°C correction factor 0.748

Δt 56°C correction factor 1.167



RADIK[®] KLASIK

RADIK KLASIK model is a steel panel radiator in KLASIK version which allows left or right side connection to the heating system circuit. It is intended for heating systems which are gravity or pressure fed.

Two upper and lower hangers are welded at the back of the radiator. Radiators 1 800 mm long and longer have six welded hangers.



VERSATILE

Versatile Bathrooms & Interiors
Beechmount Home Park
Navan, Co.Meath

T: 046 9029444
F: 046 9027704
E: sales@versatile.ie
W: www.versatile.ie

