

Downlight Fire Hood

Tenmat's Downlight Fire Hoods (DFH) are designed to reinstate the fire resistance performance of ceilings and/or floor joist constructions where downlighters have been installed.

Product Description

Tenmat's Downlight Fire Hoods are manufactured from halogen free intumescent material and are designed to reinstate the fire and acoustic performance of ceilings and/or floor constructions when penetrated by downlighters or blank openings if lights are removed for maintenance. The DFH is made from an intumescent flexible mineral wool material allowing it to be installed through the hole cut into the ceiling membrane, before springing back into shape to cover the light fitting, whilst allowing enough space between the hood and the light fitting to allow for normal operation of the light fitting.

The DFH also includes small ventilation holes, which allows hotter operating downlighters to ventilate, a small pre-cut hole for the light fitting cable to pass through and a steel clip to hold the hood in place. In the event of a fire the DFH intumescent material will expand to enclose the ceiling cut-out, cable and ventholes, providing effective fire resistance, for integrity (E) and insulation (I) for 30, 60 or 120 (EI 30/60/120) depending upon the ceiling and floor joist construction, even if the downlight is removed and replaced.

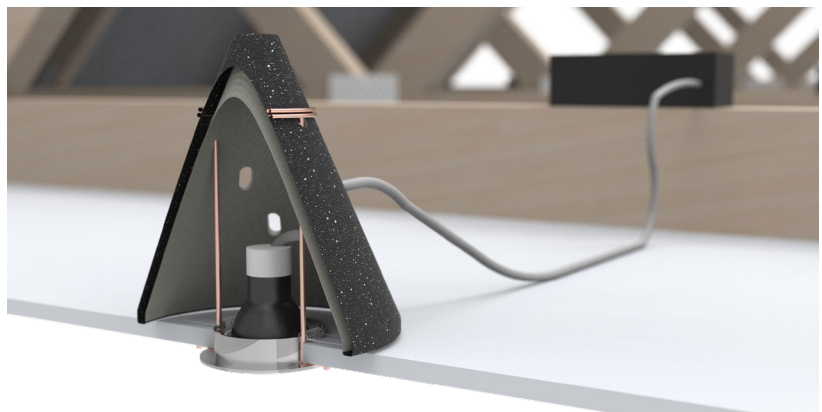
Product Details

Technical

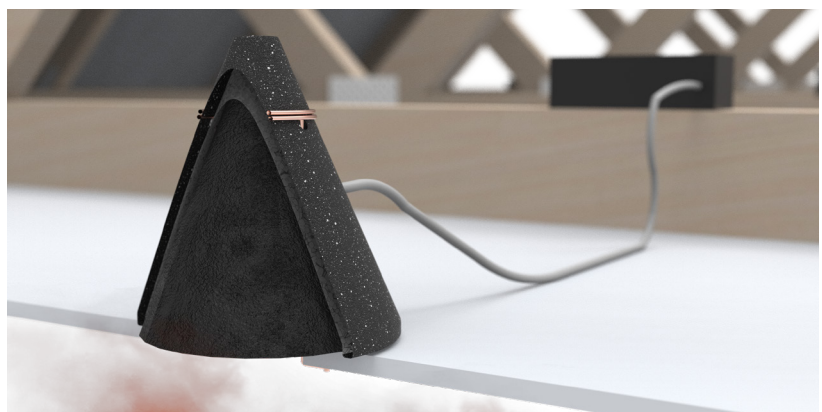
- A fire rated product, reinstating ceiling fire protection up to EI 120
- Tested for minimal acoustic noise transfer, ideal for multi-home buildings
- Ventilated design – developed to reduce heat build-up within the Firehood enclosure using a ventilated system
- Suitable for halogen and LED's – available in 3 sizes: 150 x 150 mm, 200 x 200 mm, 250 x 250 mm

Installation and maintenance

- Flexible and lightweight – designed to be easily and quickly installed from below ceilings with no special tools required
- Compatible with new and retrofit solutions – does not need to be removed when changing light fittings
- No maintenance required after installation



Downlight Hood shields the Downlight insert, this stops flames from below from spreading through the ceiling.



Intumescent material expands when exposed to heat, which stops the flames from spreading.

Approved Applications - United Kingdom

DFH Downlight Fire Hood 150-250mm

United Kingdom Fire Performance tested in accordance with BS 476-21/23 1987 and * or ** assessed by Exova Warringtonfire 2018 (Chilt/A02105 rev D)

Floor Joist Construction Type With Appropriate 60 minutes (REI) Fire Rating	Ceiling Construction Type With Appropriate 60 minutes (REI) Fire Rating	Product Selector			Product Fire Resistance Rating			Tested System and Assessment Reports
		Cut Out Size Range Diameter (Ø in mm)			Integrity (E)	Insulation (I)	Classification (EI)	
		50 -75	76 - 100	101 - 140				
		Product Dimensions (Outside Width x Height, in mm)			150 x 150	200 x 200	250 x 250	
Timber (solid) Floor Joist	Plasterboard	Yes	Yes	Yes				60
Steel I Beam	Suspended Ceiling Grid	Yes	Yes	Yes	60	60	60	*Chiltern IF99029 + *Warres 66142
Steel I Beam	Suspended Ceiling Grid	Yes	Yes	Yes	60	60	60	**BRE FG8962/ 208217
Timber (solid) Floor Joist	Plasterboard	Yes	Yes	Yes	60	60	60	**Warringtonfire A02105 rev D
Composite Steel Web with Timber Chord Joist	Plasterboard	Yes	Yes	Yes	60	60	60	**Warringtonfire A02105 rev D
Timber (solid) Floor Joist	Suspended Ceiling Grid	Yes	Yes	Yes	60	60	60	**Warringtonfire A02105 rev D
Composite Steel Web with Timber Chord Joist	Suspended Ceiling Grid	Yes	Yes	Yes	60	60	60	**Warringtonfire A02105 rev D

Approved Applications - Europe & Italy

European & United Kingdom Fire Performance tested in accordance with BS EN 1365-2-:2014

Floor Joist Construction Type With Appropriate 30 or 60 minutes (REI) Fire Rating	Ceiling Construction Type With Appropriate 30 or 60 minutes (REI) Fire Rating	Product Selector			Product Fire Resistance Rating			Tested System Reports
		Cut Out Size Range Diameter (Ø in mm)			Integrity (E)	Insulation (I)	Classification (EI)	
		50 -75	76 - 100	101 - 140				
		Product Dimensions (Outside Width x Height, in mm)						
150 x 150	200 x 200	250 x 250						
Timber (solid) Floor Joist	Plasterboard	Yes	Yes	Yes	60	60	60	BRE TE 94667
Composite Steel Web with Timber Chord Joist	Plasterboard	Yes	No	No	30	30	30	Warringtonfire WF394530
Composite Timber, OSB Web with Softwood Flanges, Floor Joist	Plasterboard	Yes	Yes	Yes	30	30	30	Warringtonfire WF422978

Italy Fire Performance tested in accordance with UNI EN 13501-2:2009 and UNI EN 1363-1:2012

Floor Joist Construction Type With Appropriate 120 minutes (REI) Fire Rating	Ceiling Construction Type With Appropriate 120 minutes (REI) Fire Rating	Product Selector			Product Fire Resistance Rating			Tested System Reports
		Cut Out Size Range Diameter (Ø in mm)			Integrity (E)	Insulation (I)	Classification (EI)	
		50 -75	76 - 100	101 - 140				
		Product Dimensions (Outside Width x Height, in mm)						
150 x 150	200 x 200	250 x 250						
Plastered Reinforced-Concrete/ Hollow Clay Tile Floor	Suspended Ceiling Grid	Yes	Yes	Yes	120	120	120	Istituto Giordano 311120/ 5599FR

Approved Applications - Australia/New Zealand & Germany

Australia and New Zealand Fire Performance in accordance with AS 1530.4 1997 and assessed by Branz 2017 (FAR 2032 issue 2)

Floor Joist Construction Type With Appropriate 60 minutes (FRL) Fire Rating	Ceiling Construction Type With Appropriate 60 minutes (FRL) Fire Rating	Product Selector			Product Fire Resistance Rating			Tested System Reports
		Cut Out Size Range Diameter (Ø in mm)			Integrity (R)	Insulation (L)	Classification (RL)	
		50 -75	76 - 100	101 - 140				
		Product Dimensions (Outside Width x Height, in mm)						
Solid Timber Floor Joist	Plasterboard	Yes	Yes	Yes	60	60	60	BRE FG8962/208217 and BRE/LPC TE 94667
Steel I Beam	Plasterboard	Yes	Yes	Yes	60	60	60	
Concrete Beam and Floor	Plasterboard	Yes	Yes	Yes	60	60	60	

Germany Fire Performance tested in accordance with DIN EN 1365-2;2015-02

Floor Joist Construction Type With Appropriate 60 minutes (REI) Fire Rating	Ceiling Construction Type With Appropriate 60 minutes (REI) Fire Rating	Product Selector			Product Fire Resistance Rating			Tested System Reports
		Cut Out Size Range Diameter (Ø in mm)			Integrity (R)	Insulation (L)	Classification (RL)	
		50 -75	76 - 100	101 - 140				
		Product Dimensions (Outside Width x Height, in mm)						
Timber (solid) Floor Joist and Roof Truss	Suspended Ceiling Grid	Yes	Yes	Yes	30	30	30	NPA NRW 210007158-3

The fire reports referenced above are undertaken by independent and accredited test houses, the periods of fire resistance indicated within the charts are as detailed within the referenced reports* and are dependant upon the particular methods of construction being undertaken to reflect those as tested or as approved within the as tested standard. * Periods of fire resistance are lowered to the nearest National requirements, for example 55 minutes is lowered to 30 minutes or 75 minutes is lowered to 60 minutes. Technical data or certification is provided by Tenmat for reference and is no guarantee that the whole building or construction project will achieve building control approval. This relies upon all building elements, and not just approved Tenmat products.

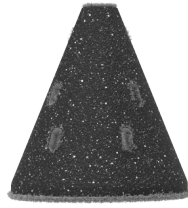
Technical Data

Material Property	DFH-150	DFH-200	DFH-250
Physical Properties			
Colour	Black	Black	Black
Material	FF109	FF109	FF109
Thickness - All Tolerances to +2mm/-1mm	8 mm	8 mm	8 mm
Outside Diameter	150 mm	200 mm	250 mm
Height	150 mm	200 mm	250 mm
Weight	0.13 kg	0.14 kg	0.18 kg
Transportation, storage and installation conditions	Product should be kept in dry ambient conditions		
Application temperature	Working life is based on the product being installed in ambient conditions at room temperature (23 °C)		
Cuttability	Product must not be modified as doing so will invalidate the fire protection performance		
Compress ability	Product should not be squashed or compressed other than as per the installation instructions		
Construction Type for Application	Construction types must be suitably tested to achieve the fire performance required		
Maximum aperture	50 -75 mm	76 - 100 mm	101 - 140 mm
LED lamp Wattage, in relation to heat output	Max. 35 Watts	Max. 35 Watts	Max. 35 Watts
Halogen Lamp Wattage, in relation to heat output	Max. 50 Watts	Max. 50 Watts	Max. 50 Watts
Product Performance			
Halogen	Free	Free	Free
Acoustic measurement as per BS EN ISO 140 part 3 & 6 and calculated to BS EN ISO 717 part 1 & 2	Rw = 65db (when fitted within floor constructions of 86kg/m ²) Rw = 42db (when fitted within floor constructions of 34kg/m ²)		
Density	200 kg/m ³	200 kg/m ³	200 kg/m ³
Free Expansion (Ratio : 1) (@ 450 °C, 15 mins)	5:1	5:1	5:1
Activation Temperature	180 °C	180 °C	180 °C
Thermal conductivity (λ) ISO 8301:1991 and BS EN 12667: 2001	0.0343	0.0343	0.0343

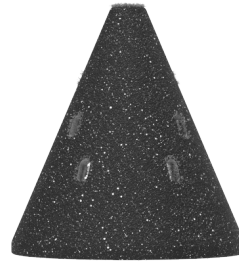
DFH Tenmat product must be installed into a construction that matches the corresponding test report. DFH Tenmat product performance requires safe and proper handling and correct installation. For construction projects, all products which the customer is intending to use on a particular project must be approved in writing by the customer's building designer, system designer, design control professional or authorities having jurisdiction, to ensure compliance with the latest regulations. Tenmat can provide the relevant fire test evidence on request.

Sizes

Refer back to Technical Data



150x150mm



200x200mm



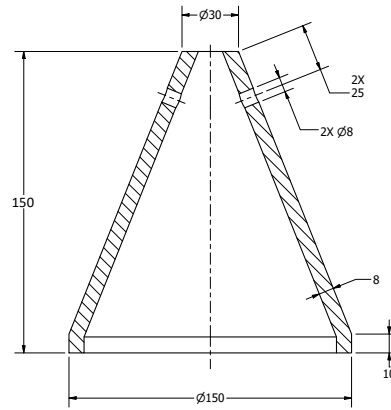
250x250mm

Packaging

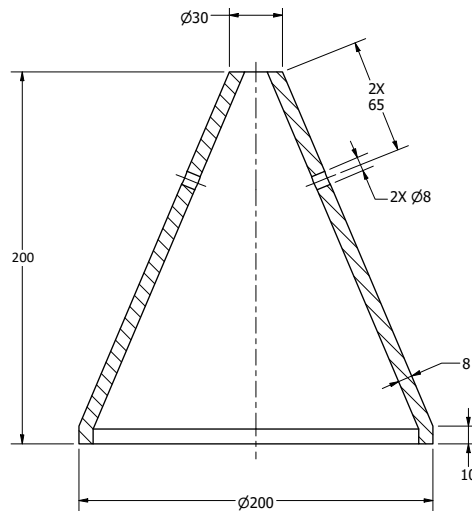
Description	Units Per Box	Pallet	Container	Item Number	
DFH-150	500	2,000	46,000	I109MC01000150015000	Bagged
DFH-150	600	2,400	55,200	I109MC01000150015001	Bulk
DFH-150	50	1,000	20,000	I109MC01000150015004	50's
DFH-200	250	1,000	23,000	I109MC01000200020000	Bagged
DFH-200	250	1,000	23,000	I109MC01000200020001	Bulk
DFH-200	20	400	8,000	I109MC01000200020003	20's
DFH-250	200	800	18,400	I109MC01000250025000	Bagged
DFH-250	200	800	18,400	I109MC01000250025001	Bulk
DFH-250	10	200	4,000	I109MC01000250025002	10's

Overall Dimensions

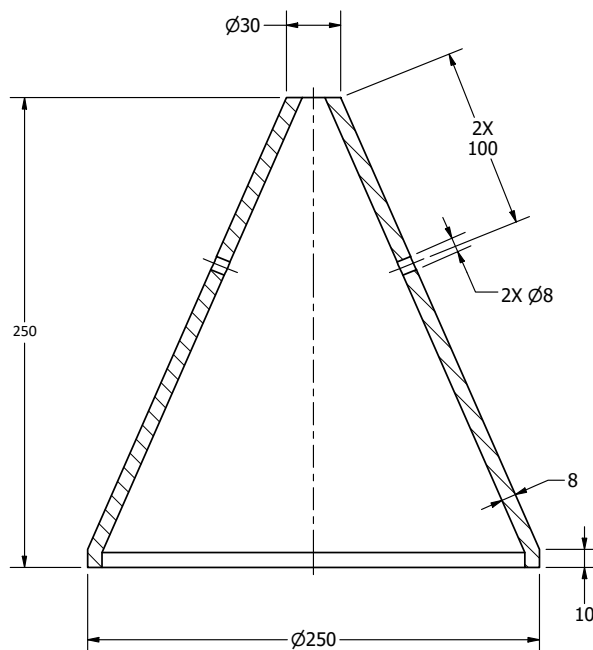
150x150mm



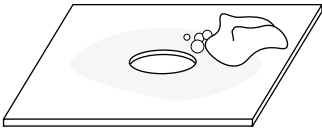
200x200mm



250x250mm

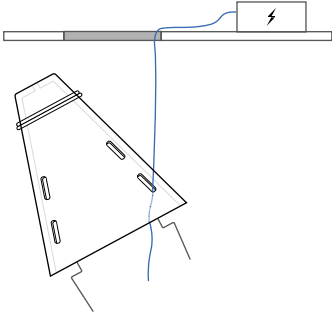


Fitting Instructions



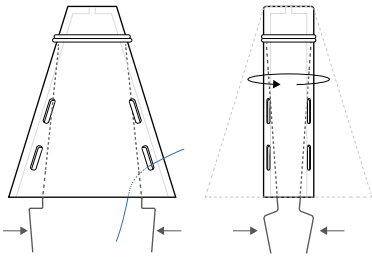
Stage 1

Using a damp cloth, clean the surface of the ceiling / tile (within the ceiling void / rear side of the tile) to remove any dust or debris within the void.



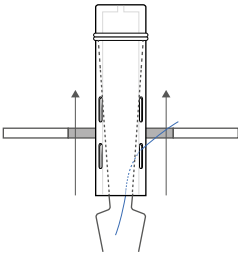
Stage 2

Ensure that power cable to the downlighter is passed through one of the lowest vent holes (ensuring that the transformer is placed within ceiling void, and not within firehood).



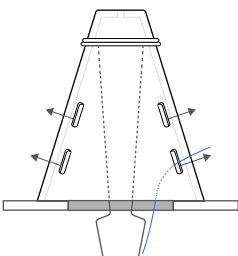
Stage 3

Grasp legs firmly and roll hood into a tight cylinder. Ensure downlight cable is through one of the lower slots before installation. Ensure transformer is within ceiling void.



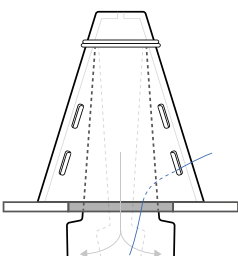
Stage 4

Keeping a tight grip on the legs, feed the hood through the cut out made for the downlighter.



Stage 5

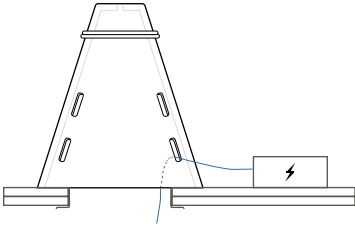
Ensure hood has sprung back into its original cone shape, this may require you to insert your hand into the hood to push it back into it's original cone shape.



Stage 6

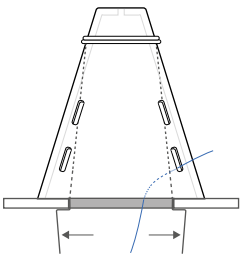
Grasp legs and pull down until L section, of the legs, clears the underside of the ceiling surface / tile.

Fitting Instructions (part 2)



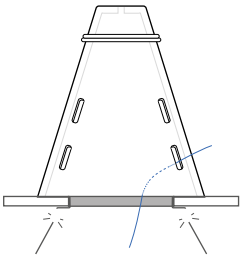
Stage 6 (for thicker ceiling / tile)

Where the ceiling surface / tile thickness is greater than 15mm ie is double layered then pull firmly down on the legs until L section of legs clears the underside of the ceiling surface / tile.



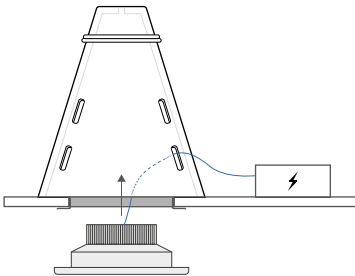
Stage 7

Move legs out until vertical part of L section is flush with the outside of the cut out, release the legs so they grip the underside of the ceiling surface / tile.



Stage 8

Remove, by cutting, the excess of both legs (where it protrudes lower than ceiling surface / tile) with wire cutters / pliers.



Stage 9

Once hood is in place, downlighter can be fitted as normal, with the transformer outside the cover.

The product illustrations are the property of Tenmat Limited and have been created for indicative purposes only. Unless indicated below, the photography and illustrations used in this data sheet are the property of Tenmat Limited. We reserve all rights to the usage of these images.

If you require permission to use Tenmat images, you must apply for a Usage Agreement. To apply, write to: marketing@tenmat.com.

Tools

PPE AND TOOLS REQUIRED FOR INSTALLATION

- Hand and eye protection, to protect from ceiling dust and wire cutting
 - Damp cloth to clean surface of ceiling within ceiling void
 - Wire cutters to cut steel wire legs (retaining clip)
 - Step Ladders for access to ceiling
-

Intended Use

Internally used within ceiling voids fitted over recessed downlighters to restate fire resistance performance.

Maintenance

No active maintenance required, where alterations are made around the product such as changing installed light fitting or transformer the Downlight Fire Hood, DFH, should be checked visually to ensure that the product is still installed as per the approved tested systems.

Storage

- Store in a cool dry place
- Take care not to exceed safe working loads and heights for storage shelves and racks



DFH

Tenmat Ltd
Ashburton Rd West, Manchester
M17 1TD United Kingdom

+44 161 872 2181
info@tenmat.com

tenmat.com



Advanced materials.
tenmat.com

The information contained in Tenmat data sheets is presented in good faith. Tenmat Limited makes passive fire protection product suggestions based solely upon and limited to the information made available to Tenmat. Tenmat possesses knowledge of fire test data and offers manufacturers installation suggestion. Within reason, Tenmat is skilled at offering opinion concerning the installations in question, and can comment on interfaces with other construction materials, but this is not a recommendation or decision.

Decisions on overall building fire strategy are not made by Tenmat. Tenmat products have been tested for a wide range of construction types, and they must be only used in accordance with Tenmat test evidence.

Tenmat Limited reserves the right to alter or amend the specification of products without notice as our policy is one of constant improvement. The information contained in this data sheet is believed to be correct at the date of publication. Whilst Tenmat will endeavour to keep its publications up to date, readers will appreciate that between publications there may be pertinent changes in the law, or other developments affecting the accuracy of the information contained in this data sheet. The applications referred to within the data sheet do not necessarily represent an exhaustive list of applications.

The product illustrations are the property of Tenmat Limited and have been created for indicative purposes only. Unless indicated below, the photography and illustrations used in this data sheet are the property of Tenmat Limited. We reserve all rights to the usage of these images. If you require permission to use Tenmat images, you must apply for a Usage Agreement. To apply, write to: marketing@tenmat.com.

Please refer to Tenmat Ltd Terms and Conditions of Sale for further information.

Tenmat is a trademark of DIAMORPH AB. All other trademarks are the property of their respective owners.